



# ExCam DEX5000i

Explosion proof camera

DEX-DTS-26-465-B



## **IQSIGHT**

- **ATEX, IECEx Zone 1/21 certified**
- **Starlight camera technology with excellent lowlight performance**
- **120dB dynamic range lets you capture details in overexposed situations with confidence**
- **Intelligent streaming, IDNR and H.265 reduce bit rate by up to 80%**
- **Built-in Essential Video Analytics to trigger relevant alerts and quickly retrieve data**
- **High resolution bubble to ensure maximum effective resolution output**

# ExCam DEX5000i

## Explosion proof camera

### Technical Specifications

#### Sensor

Sensor type	1/2.8 inch CMOS
Effective pixels (H x V)	1,945 x 1,097
Total sensor pixels	2.13 MP approx.

#### Optical

Lens zoom (x)	30x
Lens focal length (mm)	4.5 mm – 135 mm
Lens aperture (/F)	1.6 /F – 4.4 /F
Horizontal field of view (°)	2.4° – 60.9°
Digital zoom (x)	16x

#### Sensitivity

Low light technology	starlight
Measuring method	IEC 62676 Part (1/30, F1.6)
Color (lx)	0.0186 lx
Monochrome (lx)	0.0040 lx

#### Platform

Common Product Platform	CPP7.3
Memory (RAM) (MB)	512 MB RAM, 256 MB Flash

#### Video functions

Backlight compensation	On/Off; Intelligent Auto Exposure(IAE)
Camera functionality	Backlight compensation (BLC); Display stamping
Day/night modes	ing
Gain control	Auto; Color; Monochrome
WDR technology	AGC
High Dynamic Range (HDR) (dB)	HDR
Measured according to IEC 62676 Part 5 (dB)	120 dB
Number of privacy masks	107 dB
Number of sectors	32
Privacy masks pattern	16
Shutter modes	Black; White; Gray; Auto color Automatic Electronic Shutter (AES).
Tours	Recorded tours: two (2), maximum total duration 15 minutes (depending on the amount of commands sent during recording); Pre-position tour: One (1), consisting of up to 256 scenes consecutively, and one (1), customized up to 64 scenes
White balance modes	Basic; Standard; Dominant color; Sodium lamp auto

All specifications, dimensions, weight and tolerances are nominal (typical) and Dexter reserve the right to vary all data without prior notice. No liability is accepted for any consequence of use.

### Technical Specifications

#### Video content analysis

Analysis type

Alarm triggers

Configurations

Object filters

Calibration

#### Video streaming

Camera processing latency

Frame rate (fps)

Resolution

Type of stream

Video compression

#### Network

Ethernet type

Conformity

Protocols / standards

#### Data security

Crypto coprocessor (TPM)

PKI

End-to-end encryption

Encryption

Local storage encryption

Video authentication

Firmware protection

Essential Video Analytics

Any object; Object in field; Line crossing; Enter / leave field; Loitering; Follow route; Idle / removed object; Counting; Occupancy; Crowd density estimation; Condition change; Similarity search; Tampering

Silent VCA; Profiles 1 - 16

Duration; Size; Aspect ratio; Speed; Direction; Color; Object classes (4)

Automatic self-calibrating when height is set

<200ms

60 fps

1920 x 1080; 1280 x 1024; 1280 x 720; 768 x 432; 512 x 288; 704 x 576; 640 x 480

High resolution H.26x stream; M-JPEG stream; I-frame only from stream 1

H.264 (ISO/IEC 14496-10); M-JPEG; H.265/HEVC

10/100BASE-T

ONVIF Profile S; ONVIF Profile G; ONVIF Profile T  
IPv4; IPv6; UDP; TCP; HTTP; HTTPS; RTP/RTCP; IGMP V2/V3; ICMP; ICMPv6; RTSP; FTP; ARP; DHCP; APIPA (Auto-IP, link local address); NTP (SNTP); SNMP (V1, MIBII); SNMP (V3, MIBII); 802.1x, EAP/TLS; DNS; DNSv6; DDNS (DynDNS.org, selfHOST.de, no-ip.com); SMTP; iSCSI; DiffServ (QoS); LLDP; SOAP; CHAP; Digest authentication

AES/CBC 256 bit

X.509 certificates

Full end-to-end with supported VMS

TLS 1.2; TLS 1.1; AES 256; AES 128; TLS 1.3

XTS-AES

MD5; SHA-1; SHA-256; Checksum

Signed firmware; Secure reboot

All specifications, dimensions, weight and tolerances are nominal (typical) and Dexter reserve the right to vary all data without prior notice. No liability is accepted for any consequence of use.

### Technical Specifications

#### Storage

Internal storage  
Memory card slot

Memory card micro SD  
Micro SDHC; Micro SDXC

#### Inputs and outputs

Alarm inputs  
Alarm outputs

2  
1 relay output 5 VDC, 150 mA maximum

#### Audio

Audio input  
Audio output  
Compression and sampling rate

Line-in  
Line-out  
G.711 8 kHz; L16 16 kHz; AAC; 16kHz

#### PTZ functions

Pan speed (°/s)  
Pan range (°)  
Tilt range (°)  
Number of pre-positions  
Maximum pre-position pan speed (°/s)  
Maximum pre-position tilt speed (°/s)  
Pre-position accuracy (average) (°)

0.1°/s – 300°/s  
0° – 360° continuous  
-90° – 0°  
256  
300°/s  
200°/s  
0.10°

#### Electrical

Type of power supply  
Input voltage (VAC)  
PoE input  
Power consumption VAC (W) (typical– maximum)

VAC; PoE  
24 VAC  
PoE+ C4, Typ.: 14.0W Max.: 24W  
14 W – 24 W

#### Mechanical characteristics

Protection level (CAM/TB)  
Weight (kg)  
Material

IP68 / IP66 (IEC/EN 60529) / IP66  
Approx. 15.3kg  
Camera: Stainless Steel (AISI 316L/1.4404), PSU dome

#### Range of temperature

-20°C ≤ Tamb ≤ +50°C

#### Optional accessories

Wall mount bracket, Pole mount bracket,  
Ceiling mount bracket,  
ExConnection Rails, ...

All specifications, dimensions, weight and tolerances are nominal (typical) and Dexter reserve the right to vary all data without prior notice. No liability is accepted for any consequence of use.

# ExCam DEX5000i

## Explosion proof camera

### Technical Specifications

### Explosion protection

Declaration of conformity:

EN/IEC 60079-0, EN/IEC 60079-1,  
EN/IEC 60079-31

Ex- Certificates:

TUV-18-ATEX-8218X, IECEx-TUR-18.0023X,

Ex-Marking of the camera

ATEX

Explosion protection (gas):

II 2G Ex db IIC T6 Gb

Explosion protection (dust):

II 2D Ex tb IIIC T80°C Db IP68

IECEX

Explosion protection (gas):

Ex db IIC T6 Gb

Explosion protection (dust):

Ex tb IIIC T80°C Db IP68

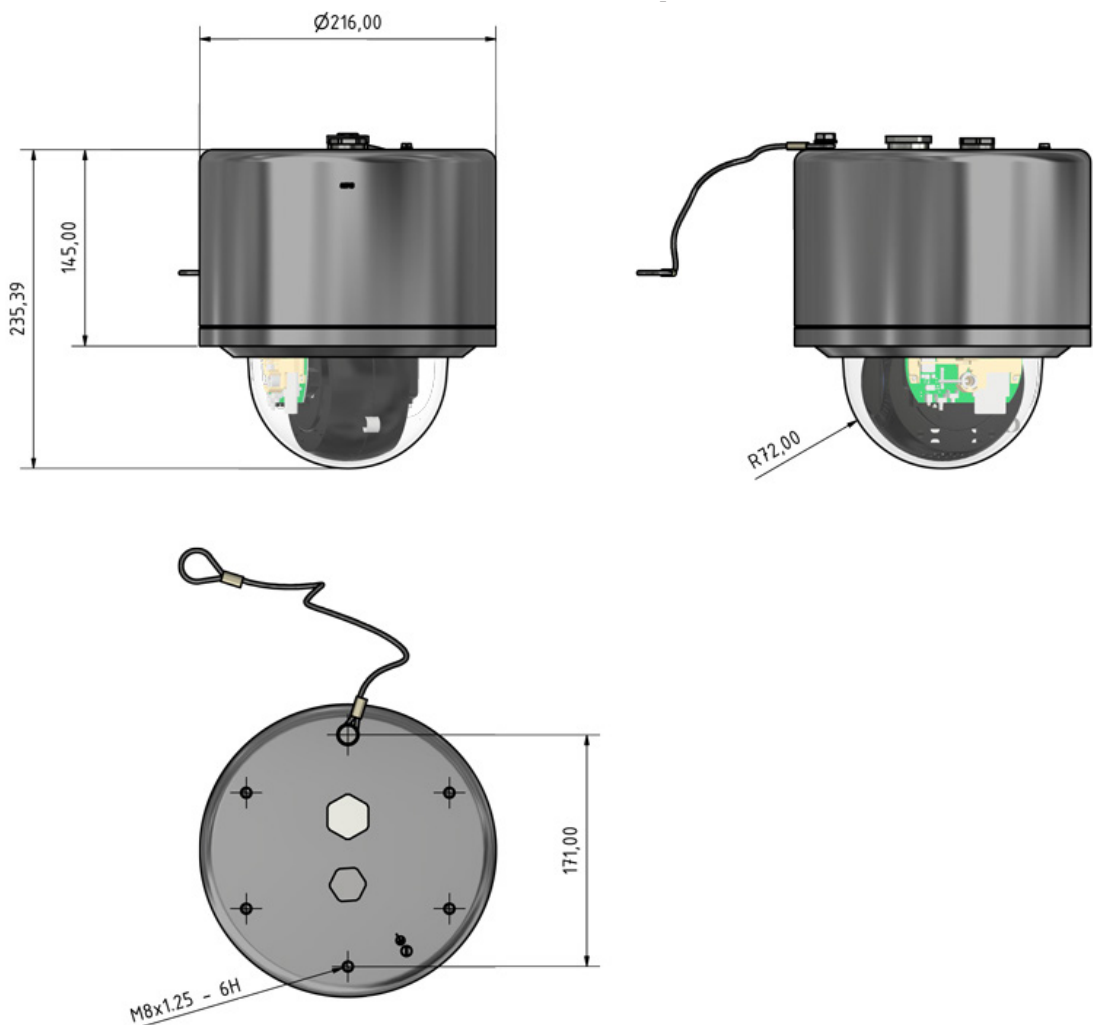
Temp Range:

-20°C ≤ Tamb ≤ +50°C

Model key:

T08-VA4.1K.PS1-N.H-000.X-X

### Dimensions [mm].



All specifications, dimensions, weight and tolerances are nominal (typical) and Dexter reserve the right to vary all data without prior notice. No liability is accepted for any consequence of use.

DEXTER System Solutions B.V. info@dexter.eu  
Bakkenzuigerstraat 40 T: +31 (0)36 5368216  
1333HA Almere, Netherlands