

IMCOS-6081 Audio/visual relay unit



Overview

IMCOS-6081 is an optical and acoustic secondary alarm and signal unit

designed for application in marine and industrial areas.

The device is connected to an independent power supply to provide an optical and acoustic signal generation activated by analog telephones or sound powered telephones or external electrical dry contact.

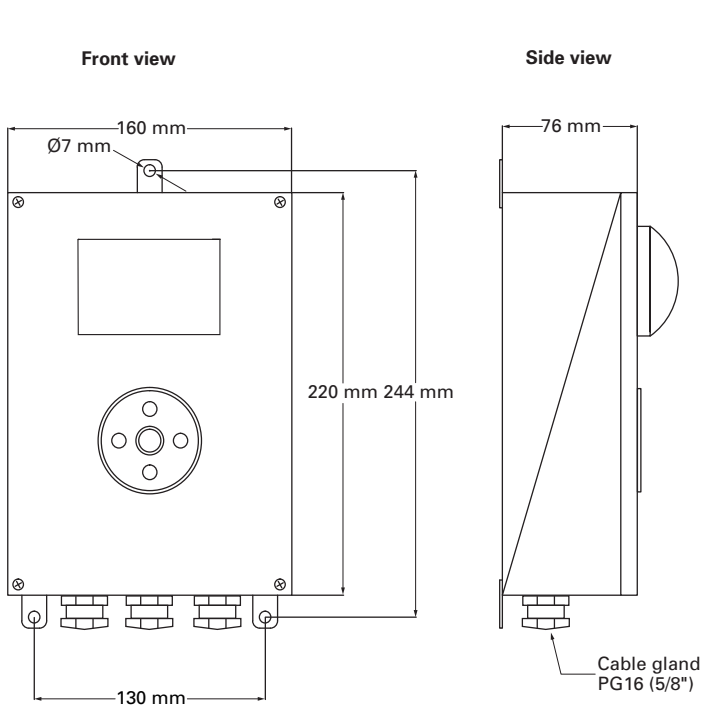
Features

- Coated Steel enclosure
- Flashing light, orange lens.
- 108 dB sounder
- Activation by external contact or telephone line
- Different power supply options

Specification

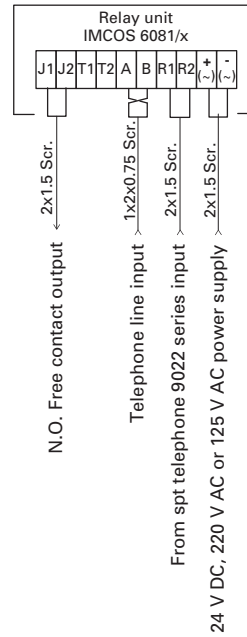
Material	Coated steel - Ral 6034
Mounting	Wall mount
Cable entry	3 x M22 plastic glands
Wiring	Terminal blocks inside
Power supply	24 V DC, 220 V AC, 115 V AC options
Power consumption	10 W
Max. SPL (@1 m)	108 dB
Dimensions	L: 166 W: 225 (+30 Cable Glands) H: 115
Weight	2.5 (approx. kg)
Ingress protection	IP55

IMCOS-6081 Dimensions & fixing



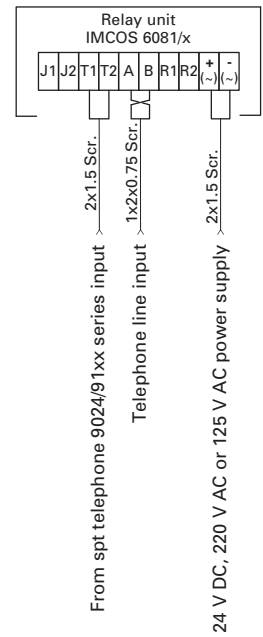
Terminal strip Automatic telephone & SPT 9022

Example of connection



Terminal strip SPT 9024 & 91xx series

Example of connection



Ordering requirements

The following code is designed to help in selection of the correct unit. Build up the reference number by inserting the code for each component into the appropriate box.

Series

IMCOS-6081-x

Power supply

Entries	Code
24 V DC	1
220 V AC	2
115 V AC	3

All specifications, dimensions, weights and tolerances are nominal (typical) and Gitesi reserve the right to vary all data without prior notice. No liability is accepted for any consequence of use.

IMCOS™ System is type approved by seven marine class societies.