

BExL15 Explosion Proof PA Loudspeakers 15W

The flameproof BExL15 PA loudspeakers are suitable for Zone 1, 2, 21 & 22 applications. Approved to IECEx, ATEX, Ex EAC and INMETRO standards.

113dB sound level output – 15W rated.

The BEx range features enclosures manufactured from corrosion proof, marine grade copper free LM6 aluminium with chromate and powder coat finish.

An independent test report is available on request, or online, detailing the leading performance of the BEx loudspeaker range.

Features

- Marine grade, corrosion proof, LM6 aluminium enclosure.
- Ingress protection IP66/67
- Stainless steel fixings
- Dual M20 cable entries – adaptors available.
- Stopping plug included.
- Very large termination area.
- Ratchet adjustable stainless steel 'U' bracket.
- 100V and 70V line versions.
- 8 Ohm and 16 Ohm low impedance versions.
- Multiple tapings from 15W to 1W.
- Wide frequency response and angle of dispersion.

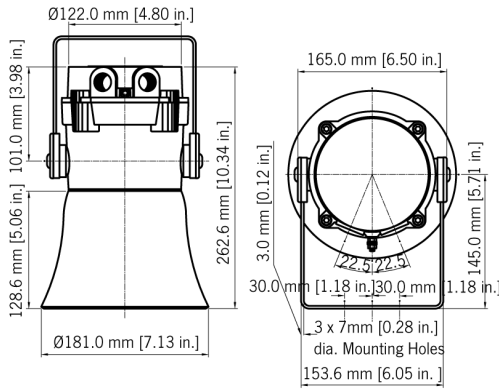
Approvals

- IECEx Certificate: KEM 10.0003X
- ATEX Certificate: KEMA 99ATEX6312X
- TR-CU Ex EAC certificate: RU C-GB.HA65.B.01252_21
- INMETRO certificate: 10HEx-0009
- UKCA certificate: UL22UKEX2638X
- CCOE PESO

Coding

- II 2G Ex db IIB T4 Ta -50° to +70°C
- II 2G Ex db IIC T4 Ta -50° to +55°C
- II 2D Ex tb IIIC T100°C Db Ta -50°C to +55°C
- II 2D Ex tb IIIC T115°C Db Ta -50°C to +70°C





Specification

SPL:	102dB +/-3dB @ 1w @ 1m (Pink) 113dB +/-3dB @ 15w @ 1m (Rated)
Rated power:	15 Watts RMS
70v line tapings:	15w / 7.5w / 3w / 1w (z=336.67 Ohms / 653.33 Ohms / 1.6k Ohms / 4.9k Ohms)
100v line tapings:	15w / 7.5w / 3w / 1w (z=666.87 Ohms / 1.34k Ohms / 3.34k Ohms / 10k Ohms)
Low impedance:	8 Ohm or 16 Ohm
Dispersion:	120° @ 1kHz & 32° @ 4kHz
Frequency range:	400Hz to 8000 Hz
DC Line monitoring:	2.2µF Capacitor (Transformer) 470µF Capacitor (Low impedance)
Ingress protection:	IP66/67
Enclosure matl:	Marine grade copper free LM6 Aluminium
Enclosure finish:	Chromate & powder coated finish ISO 12944-6 CX, C5VH & C5H
Colour:	Red Grey Special - available on request
BExL15 flare:	High impact UL94 V0 & 5VA FR ABS
Cable entries:	Dual M20 ISO (one stopping plug inc)
Terminals:	0.5 - 2.5mm ² (20-14 AWG)
Relative humidity:	95% - Additional tropicalisation is recommended for applications where both high relative humidity and high ambient temperatures exist
MTBF V100/V070:	630.69 years / 5,524,861 hours - MIL 217
MTBF R008/R016:	830.22 years / 7,272,727 hours - MIL 217
Weight:	70/100V line: 3.45kg/7.59lbs Low imp.: 3.10kg/6.82lbs

Part Codes

Part Code:	Identifier:	Description:
Product type:	BExL15	Explosion proof PA Loudspeaker
Type:	DF	Ex d, Flare re-entrant horn
Input:	V100 V070 R016 R008	100V Line Transformer 70V Line Transformer 16 Ohm Low Impedance 8 Ohm Low Impedance
Cable entries:[e]	A B C D E F G	2 x M20x1.5mm 2 x 1/2" NPT - adaptors 2 x 3/4" NPT - adaptors 2 x M25x1.5mm - adaptors 1 x 1/2" NPT - adaptor 1 x 3/4" NPT - adaptor 1 x M25x1.5mm - adaptor
Stopping plug/ adaptor material:	B N [m] S	Brass Nickel Plated Stainless Steel
Bracket matl & tag:	1 [s] 2 3 4	A2 304 Stainless Steel A4 316 Stainless Steel A2 304 St/St with Equip. Tag A4 316 St/St with Equip. Tag
Product version: [v]	A1	Default - IECEx, ATEX, Ex EAC & INMETRO
Enclosure colour:	R [x] G S	Red Grey Special - contact E2S
Accessories:	SP65-0001-A4 SP65-0003-A4	Pole Mount Bracket Kit St/St A4 (316) Sunshade - St/St A4 (316)