

XP40 HD IP series

Explosion proof PTZ camera station



Overview

The Oxalis XP40 is an explosion protected PTZ camera station for use in hazardous areas in onshore, offshore, marine and heavy industrial environments.

Our camera stations are designed and manufactured for longevity in harsh environments with minimal maintenance

Features

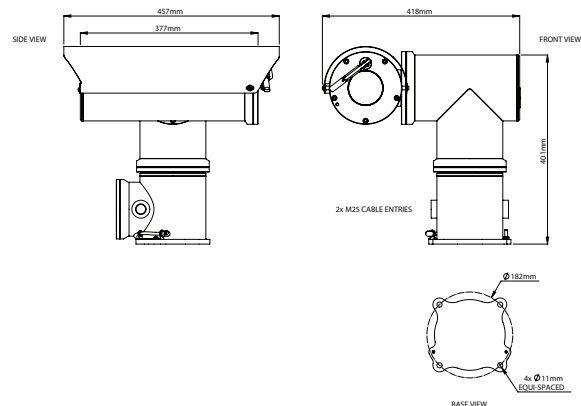
- ATEX & IECEx certified
 - Electro-polished 316L stainless steel finish
 - Camera station window in toughened glass
 - Pole or wall mounting options (see separate datasheets)
 - Supply voltage options (24, 110, 230 VAC, 50/60Hz or 24 VDC)
 - Operating temperature from -60°C to +70°C*
 - IP66/67
- *Model dependent



Certifications

ATEX	II 2 G Ex db (op pr) IIC T4 Gb -60°C to +70°C
	II 2 D Ex tb (op pr) IIIC T140°C Db IP6x
	On Request: T5 -60°C to +65°C, T6 -60°C to +40°C
	On request: T135 -60°C to +65°C
Certificate: ITS16ATEX101021X	
IECEX	Ex db (op pr) IIC T4 Gb -60°C to +70°C
	Ex tb (op pr) IIIC T140°C Db IP6x
	On Request: T5 -60°C to +65°C, T6 -60°C to +40°C
	On request: T135 -60°C to +65°C
Certificate: IECEX ITS 15.0068X	

General arrangement drawing (all dimensions in mm)



Specifications

Features	Electrical
Sun shield Standard stainless steel 316L mirror finish	Supply voltage options 24, 110, 230 VAC, 50/60Hz or 24 VDC
Integral wiper Optional (silicone wiper blades that are resistant and do not perish after long exposure to ozone, UV, ice, snow, heat or cold)	Power consumption 80W maximum (143W with low temperature operation)
Integral demister Standard	Electrical connections Terminal block for power, data and video specific to camera configuration
Integral washer pump Not applicable	Cable entry 2 x M25 entries located in the base (1 plugged)
Washer systems Compatible with Oxalis XW or XWP washer tanks (see datasheets)	Mechanical
Pan speed (maximum) 45° per second	Body material Electro-polished 316L stainless steel on all welded assemblies
Tilt speed (maximum) 24° per second	Fixings material A4 stainless steel
Pre-set positional accuracy 64 presets: positional accuracy±0.1°	Camera station window Toughened glass
Telemetry receiver Integral - Pelco D, standard protocol (others to specification)	Mounting options Pole or wall (see separate datasheets)
Rotation Continuous pan or 350° rotation (+/- 175° from straight ahead)	Operating temperature From -60°C to +70°C (model dependent)
IP direct fibre out options Optional media converter, duplex/simplex singlemode 9/125µm or multimode 50/125µm, 10/100Mb Ethernet, IEEE 802.3	Weight (Kg) Up to 33 kg depending on configuration
IP over coax Optional integrated IP Ethernet-over-coax converter (must be used with compatible Rx equipment)	Ingress Protection Rating IP66/67
Camera options	
32x XNZ-6320 HD IP camera	
Image sensor Progressive scan CMOS 1/2.8"	
Resolution Resolution: 1920x1080 @60fps to 320x240	
Lens 32x optical 32x digital zoom 4.44-142.6 mm F1.6 to F4.4, horizontal angle of view 61.8° - 2.19°	
Min. illumination Colour : 0.005Lux (1/30sec, F1.6), B/W : 0.005Lux (1/30sec, F1.6)	
Streaming H.264, H.265, MJPEG codec, multiple streaming, VBR/CBR	
Features Intelligent video analytics, motion detection, day & night (ICR), WDR (150dB), auto focus, auto Iris, AGC, SSSDR, ATW, SSNR5, BLC, DIS, Defog	
Standards protocols ONVIF Profile S, TCP/IP, UDP/IP, RTP(UDP), RTP(TCP), RTCP, RTSP, NTP, HTTP, HTTPS, SSL, DHCP, PPPoE, FTP, SMTP, ICMP, IGMP, SNMPv1/v2c/v3(MIB-2), ARP, DNS, DDNS, QoS, PIM-SM, UPnP, Bonjour	
30x zoom 2.1MP network camera	
Image Sensor Progressive scan CMOS 1/2.8"	
Resolution 1920x1080 30fps	
Lens 30x zoom 4.3-129mm F1.6 to F5.05, Angle of View 65.1° - 2.34°, 10X digital zoom, Auto Focus, Auto Iris	
Min. Illumination Color: 0.05Lux @ (F1.6, AGC ON) B/W: 0.01Lux @ (F1.6, AGC ON)	
Streaming Dual streams in H.264 and Motion JPEG, VBR/CBR	
Features BLC, AGC, AWB, WDR, DNR, OSD, Day & Night Auto/Colour / BW (IR-Cut Filter Removable)	
Standards Protocols ONVIF, PSIA, CGI -TCP/IP, HTTP, DHCP, DNS, DDNS, RTP, RTSP, SMTP, NTP, UPnP, SNMP, FTP, 802.1x, QoS, HTTPS, IPv6	

Ordering requirements

The following code is designed to help in selection of the correct unit. Build up the reference number by inserting the code for each component into the appropriate box

XP40																											
Housing type Visual camera housing Code BV		Wiper options Integral wiper with switched 24VAC for external washer pump No wiper Code E N		Video type HD IP system Code I		Day/night module 32x zoom HD IP camera 30x zoom 2.1MP network camera Customer specific camera Code P M C		Thermal core module No thermal core Code N		Thermal core lens No thermal imaging lens Code N		Video system IP Code I		Supply voltage 24 VAC ±10% 50/60 Hz 110 VAC ±10% 50/60 Hz 230 VAC ±10% 50/60 Hz 24 VDC ±10% Special - price on application Code 1 2 3 6 S		Temperature type T4, -20°C to +70°C* T4, -40°C to +70°C* T4, -60°C to +40°C T5, -20°C to +65°C* T5, -40°C to +65°C* T5, -60°C to +40°C T6, -20°C to +40°C* T6, -40°C to +40°C* T6, -60°C to +40°C* Code A B 3 C D 6 7 8 9 *Subject to configuration restrictions		Cable Tail Length No cable tail 3 metre 5 metre 7 metre 10 metre 15 metre Specify length Code 00 03 05 07 10 15 *S		Transmission type Standard electrical Simplex singlemode 9/125µm ethernet Simplex multimode 50/125µm ethernet IP over coax Duplex singlemode 9/125µm Duplex multimode 50/125µm Code 0 3 4 5 6 7		Certification ATEX IECEx Code A I		Camera rotation Continuous rotation Pan rotation restricted to +/- 175° Code 1 2		Protocol requirements Pelco D protocol, baud rate 2400bps Special - price on application Code D S	