

Sounder AX03 and AX05

High-volume signalling device with 32 different signal tones



Overview

The AX03 and AX05 Sounders are compact signalling devices with a high-volume output and a good directivity. As they are realized according to protection class IP 66, indoor as well as outdoor uses are possible.

The housing is made of ABS. Both sounders are equipped with 32 different tones and therefore suitable for universal use.

The AX03 and AX05 Sounders are each available as AC or DC version, both designed for a two-stage-alarm.

Features

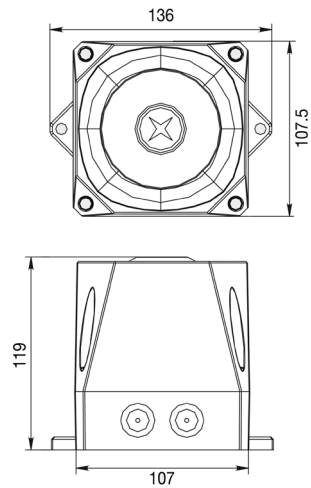
- AC and DC versions
- High sound level of up to 112 dB(A)
- Low current consumption
- Choice of 32 different signal tones
- Steady frequency rate
- Robust and reliable

Specifications

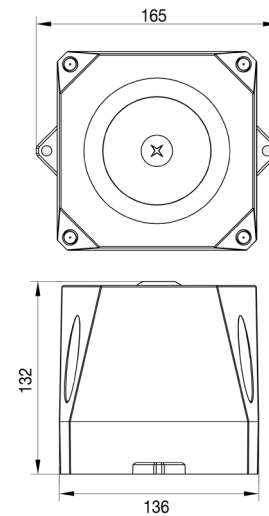
Housing	ABS	
Colour	Red	
Volume	Approx. 100-112 dB(A) (AX05 settable)	
Signals	32 different signal tones, 2 tones may be added externally	
Ingress protection	IP 66 according to IEC 60529	
Cable glands	Not included in scope of delivery	
Connection terminals	Klemmvermögen: 2.5 mm ² single-wire 1.5 mm ² fine-wire	
Operating conditions	Indoors and outdoors	
Operating position	Preferably horizontal with cable glands facing downward	
Operating mode	Continuous operation	
Temperature range	-25 °C to +70 °C	
Weight	AC	DC
AX03	0.4 kg	0.3 kg
AX05	0.7 kg	0.5 kg

General arrangement drawing (all dimensions in mm)

AX03



AX05



Ordering data

Type	Designation	Nominal voltage	Operating voltage	Sound level	Art. No.
AX03	Sounder	115/230 VAC	115/230 V	100-111	FHF 215 310 07
AX03	Sounder	12/24 VDC	9-60 V	100-111	FHF 215 310 13
AX05	Sounder	115/230 VAC	115/230 V	100-112	FHF 215 320 07
AX05	Sounder	12/24 VDC	9-60 V	109-112	FHF 215 320 13