

Telephone Protection Hood Type 404 GRP

Especially suitable for use in noisy work environments



Overview

The telephone protection hood is an excellent aid to improve audibility in noisy surroundings in places where open telephones have to be installed for economic reasons. The special shape of the hood and its inner lining with sound-absorbing material optimally reduces noise in the area of the telephone. The overhearing of telephone conversations from outside the hood is also impeded.

The best acoustic effect is achieved with the back of the protection hood facing the noise sources or greatest noise source (see directional diagram of sound-level reduction).

The protection hood is made of glass-fiber reinforced polyester and contains an inner lining with sound-absorbing mineral fibre boards protected with a perforated plate cover.

Features

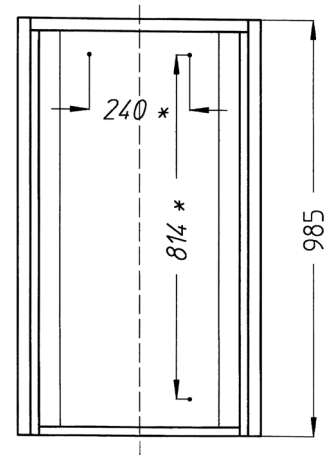
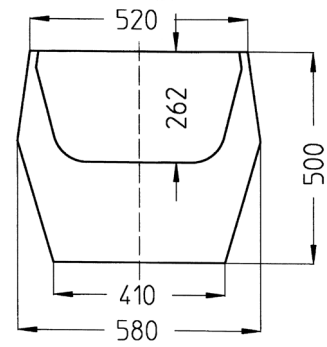
- Sound insulation up to 25 dB(A)
- Weatherproof design
- Colour orange or yellow
- GRP design
- DIN 5510 class S4

Specifications

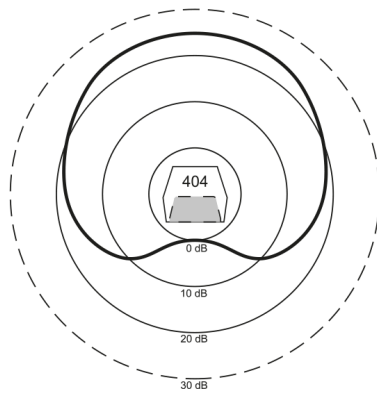
Housing	
Material	GRP
Colour	Orange or yellow, other colours on request
Dimensions	See dimension drawing
Weight	
Hood	40 kg
Console	17 kg
Console colour	Yellow
Noise absorption	Up to 25 dB(A)
Outer material	GRP, DIN 5510, class S4
Inner material	Perforated plate ST37-2
Material insulation	Rockwool RAF-SE

General arrangement drawing (all dimensions in mm)

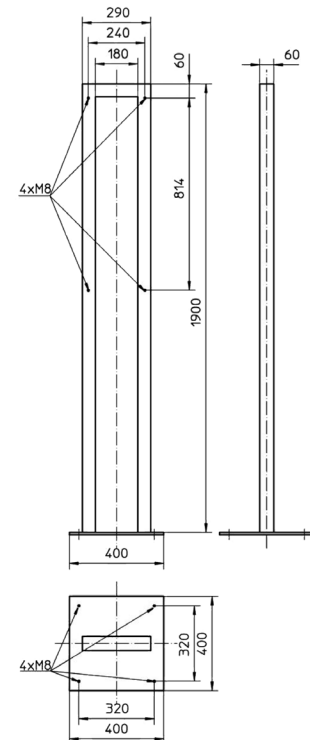
All dimensions are production-dependent approximates.



Directional diagram of sound-level reduction



Console



Ordering data

Type	Designation	Colour	Article number
Model 404	GRP protection hood	orange (similar to RAL 2000)	FHF 118 901 23
Model 404	GRP protection hood	yellow (similar to RAL 1023)	FHF 118 901 22
	Sheet steel console	yellow	FHF 118 901 03