

Weatherproof Telephone FernTel-W and FernTel-W-ZB

Convenient built-in telephone for rough environmental conditions



Overview

The FernTel-W built-in telephone is easily installed into tables and desks, e.g. in control rooms or alarm centres. Without any additional effort, the device may also be mounted vertically.

Due to its complete equipment provided as standard, the FernTel-W may be universally applied. It can be connected to every telephone branch with analogue interface.

Features

- Analogue telephone for indoor and outdoor application
- As information and emergency telephone
- With or without keypad
- Optional keypad illuminated
- Protection class IP 65
- 6 direct dialling keys (programmable)

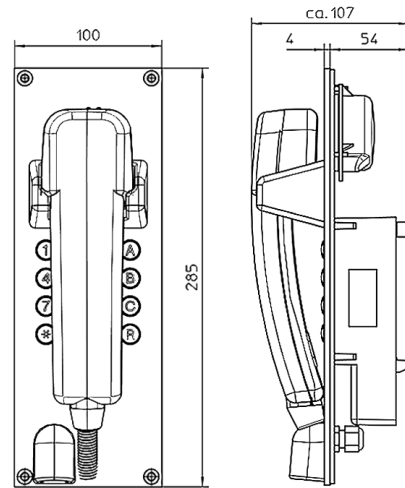
EATON

Powering Business Worldwide

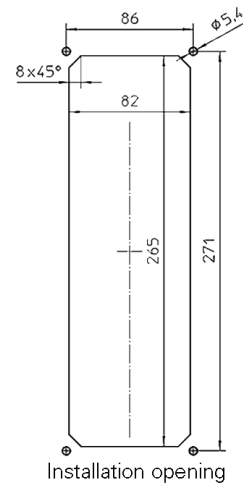
Specifications

Supply voltage	24 VDC to 66 VDC
Supply current	19 mA to 90 mA
Ringing AC voltage	30 VAC to 90 VAC
Ringing frequency	15 Hz to 65 Hz
Mounting plate	Stainless steel
Keypad	Illuminated
Handset rest	Synthetic material
Handset cord	Armoured or spiral cord
Handset housing	Polycarbonat
Handset colour	Black
Volume	80 dB(A) (can be lowered to 30 dB or muted)
Handset volume	Up to 12 dB(A) settable as nominal voltage
Receiver and transmitter capsule	Electrodynamic capsule
Connection terminal	Terminal capacity: up to 1.5 mm ²
Operating position	Vertical wall mounting
Operating temperature	-25 °C to +60 °C
Ingress protection	IP 65 according to IEC 60529

General arrangement drawing (all dimensions in mm)



with connection terminals



Auxiliary keypad FernTel-W (model without keypad on the front)



Ordering data

Type	Designation	Model	Article number*
FernTel-W	Waterproof Telephone	without keypad, with armoured cord	FHF 112 644 41
FernTel-W	Waterproof Telephone	without keypad, with spiral cord	FHF 112 644 42
FernTel-W	Waterproof Telephone	with illuminated keypad, with spiral cord	FHF 112 644 32
FernTel-W	Waterproof Telephone	with illuminated keypad, with armoured cord	FHF 112 644 31
Zubehör			
Surface-mounted housing	for FernTel-W		FHF 118 900 07