

IMCOS-2126 Alarm unit for hospital call



Product description

IMCOS-2126 is an alarm unit for hospital call applications.

It is supplied with a buzzer and a lighted indicator, 24 VDC powered.

The wall mounting version can operate with 12 VDC powering and can replace the lamp with a lighted reset button as options.

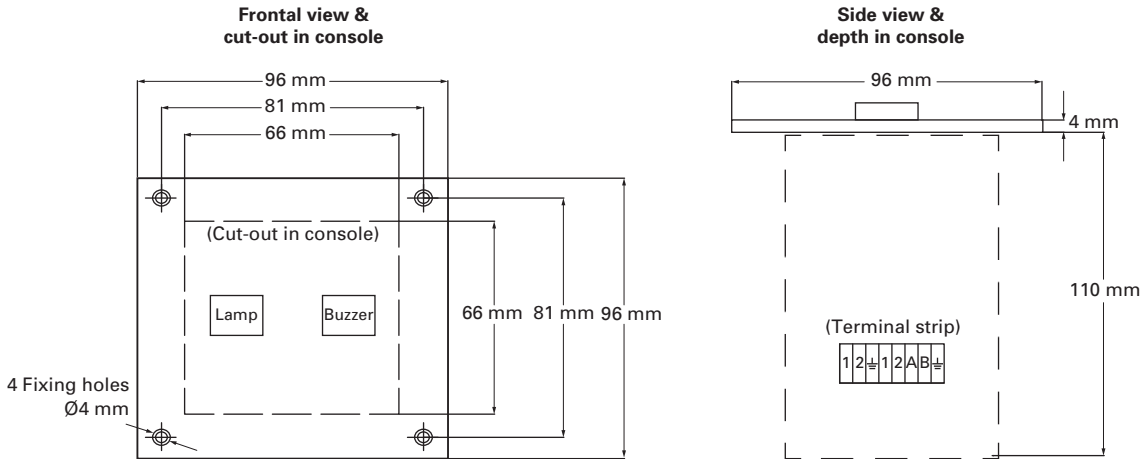
Features

- Different versions available:
 - flush mounting panel (IMCOS-2126);
 - wall mounting unit (IMCOS-2126-W);
 - wall mounting unit 12 VDC (IMCOS-2126-W12);
 - wall mounting unit with reset button (IMCOS-2126-WR)
- Aluminium material,
 - black colour RAL 9005 (IMCOS-2126);
 - grey colour RAL 7001 (IMCOS-2126-Wy)

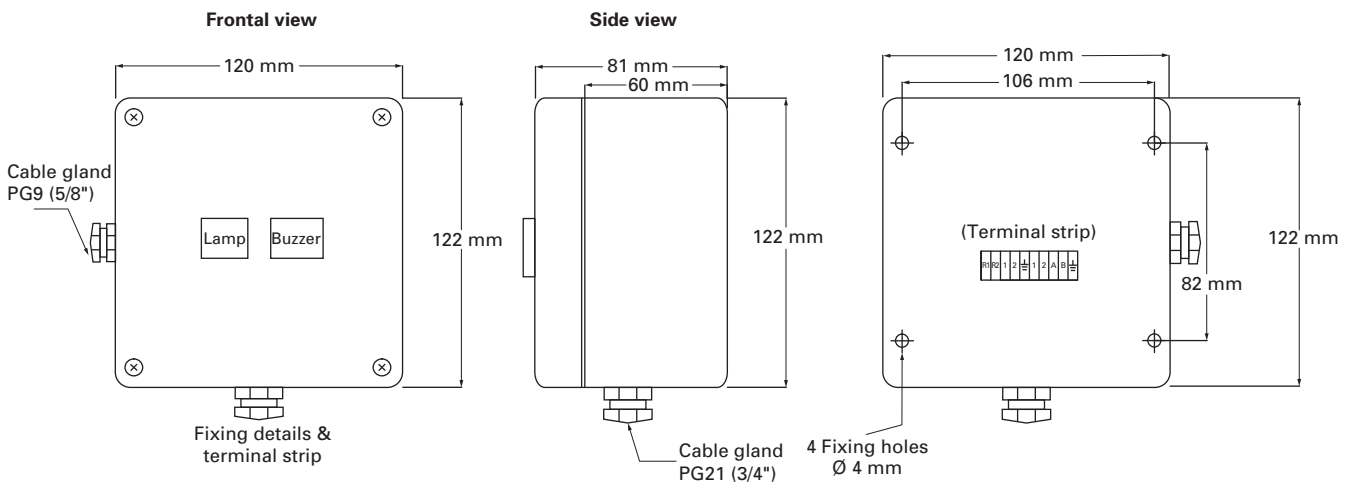
Specification

Material	Coated aluminium - black colour RAL 9005 (IMCOS-2126); - grey colour RAL 7001 (IMCOS-2126-Wy)
Mounting	- Flush mounting (IMCOS-2126); - Wall mounting (IMCOS-2126-Wy)
Wiring	Terminal strip on the back
Cable glands	1xPG21 (3/4") 1xPG9 (5/8") for external sound device (IMCOS-2126-Wy)
Dimensions	- Height 96 mm, width 96 mm, depth in console 110 mm (IMCOS-2126); - Height 122 mm, width 120 mm, depth in 81 mm (IMCOS-2126-Wy)
Weight	0,3 Kg (IMCOS-2126) 1,3 Kg (IMCOS-2126-Wy)
Power supply	24VDC, 12 VDC (only IMCOS-2126-W12)

IMCOS-2126 Dimensions & fixing



IMCOS-2126-W Dimensions & fixing



Ordering requirements

The following code is designed to help in selection of the correct unit. Build up the reference number by inserting the code for each component into the appropriate box.

Model	Mounting	Options
IMCOS-2126-xy	x	y
	Entries Code	Entries Code
	flush mount wall mount W	12 VDC 12 reset button R

All specifications, dimensions, weights and tolerances are nominal (typical) and Gitiessse reserve the right to vary all data without prior notice. No liability is accepted for any consequence of use.

IMCOS™ System is type approved by seven marine class societies.