

# IMCOS-5254 Wall loudspeaker



## Product description

IMCOS-5254 is a loudspeaker for wall and ceiling installations.

Compact solution for professional use with good sound quality.

## Features

- ABS enclosure
- 10 watt rated power
- 100V line transformer/8 Ohm options
- Six different tap levels
- Self-resetting fuse to keep the audio line working in case of short circuit
- Ingress Protection IP22
- White Colour RAL 9010
- Talk back button available as an option (IMCOS-5254-TB)

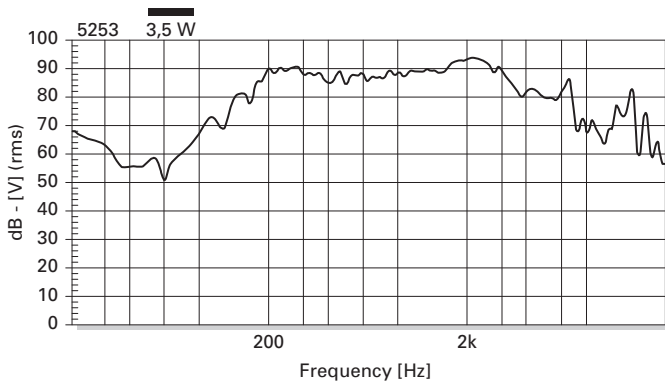


*Powering Business Worldwide*

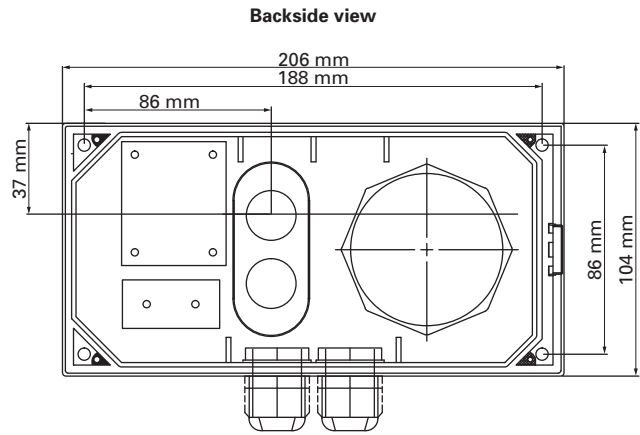
## Specification

Material	ABS – white colour RAL 9010
Mounting	4 screws to wall or ceiling
Cable glands	4 x PG 13,5
Ingress protection	IP 22
Weight without/ with transformer	0,5/0,8 Kg.
Nominal/ Max. power	10/15 W
Max/min temperature	+70/-25 °C
Effective frequency range	150-20000 Hz
SPL (1W/1m)	88 dB
Dispersion (-6 dB) 1000/4000 Hz	140/100 degrees
Impedance on request	100 V transformer/8 Ohm, complete with internal fuse
Nominal tapping (secondary coil)	1 : 4 = 10,0 W 1 : 3 = 5,0 W 2 : 4 = 3,5 W 1 : 2 = 2,5 W 3 : 4 = 1,5 W 2 : 3 = 0,8 W

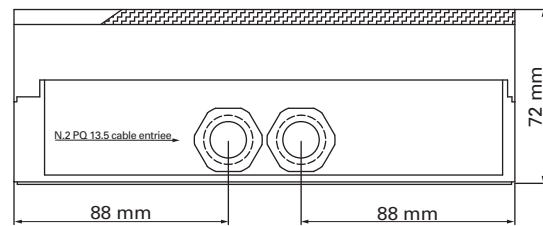
**Fundamental + Harmonic distortion components**  
signal at IN2



## IMCOS-5254 Dimensions & fixing



**Longitudinal view**



**Terminal strip (Inside)**

L2	Line out
L1	
L2	Line in
L1	

## Ordering requirements

The following code is designed to help in selection of the correct unit. Build up the reference number by inserting the code for each component into the appropriate box.

### Model

IMCOS-5254-x

### Options

x

Entries	Code
Standard	
Talk back button	TB

All specifications, dimensions, weights and tolerances are nominal (typical) and Gitiessse reserve the right to vary all data without prior notice. No liability is accepted for any consequence of use.

IMCOS™ System is type approved by seven marine class societies.