

IMCOS-6913 Talk back waterproof reversible substation



Product description

IMCOS-6913 is talk back substation composed by a watertight horn and junction box complete with socket for headset/microphone.

Suitable for ship applications.

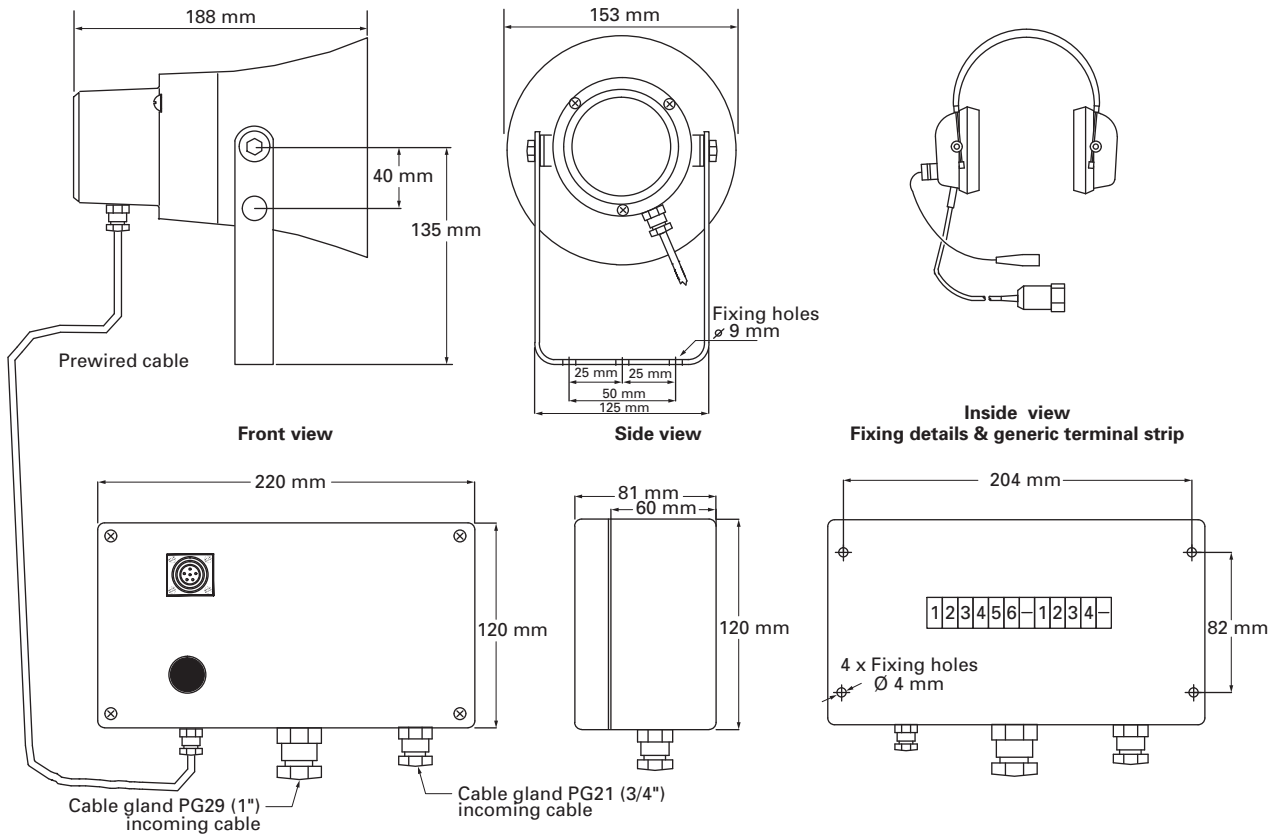
Features

- The assembly includes:
 - 1 watertight horn;
 - 1 headset/microphone c/w cable and plug;
 - 1 watertight junction box with push to call button and socket for headset/microphone.
- Cable standard length 1,5 m
- Loudspeaker power options of 10, 15 and 30 watt
- Ingress Protection IP 44, when headset is not connected

Specification

Mounting	Wall mounting (junction box); stainless steel bracket (loudspeaker)
Cable glands	1xPG21 (3/4") & 1xPG29 (1")
Dimensions	Height 120, width 220, depth 81 mm (junction box)
Weight	1,5 Kg (junction box); 1,3 Kg (loudspeaker)
Ingress protection	IP44 when headset is not connected

IMCOS-6913 Dimensions & fixing



Ordering requirements

The following code is designed to help in selection of the correct unit. Build up the reference number by inserting the code for each component into the appropriate box.

Model	Loudspeaker Power								
IMCOS-6913-x	X								
	<table border="1"> <thead> <tr> <th>Entries</th> <th>Code</th> </tr> </thead> <tbody> <tr> <td>10 W</td> <td></td> </tr> <tr> <td>15 W</td> <td>1</td> </tr> <tr> <td>30 W</td> <td>2</td> </tr> </tbody> </table>	Entries	Code	10 W		15 W	1	30 W	2
Entries	Code								
10 W									
15 W	1								
30 W	2								

All specifications, dimensions, weights and tolerances are nominal (typical) and Gitiessse reserve the right to vary all data without prior notice. No liability is accepted for any consequence of use.

IMCOS™ System is type approved by seven marine class societies.