

IMCOS-8211 Headset amplifier box



Product description

IMCOS-8211 is an amplifier for automatic telephones with headset.

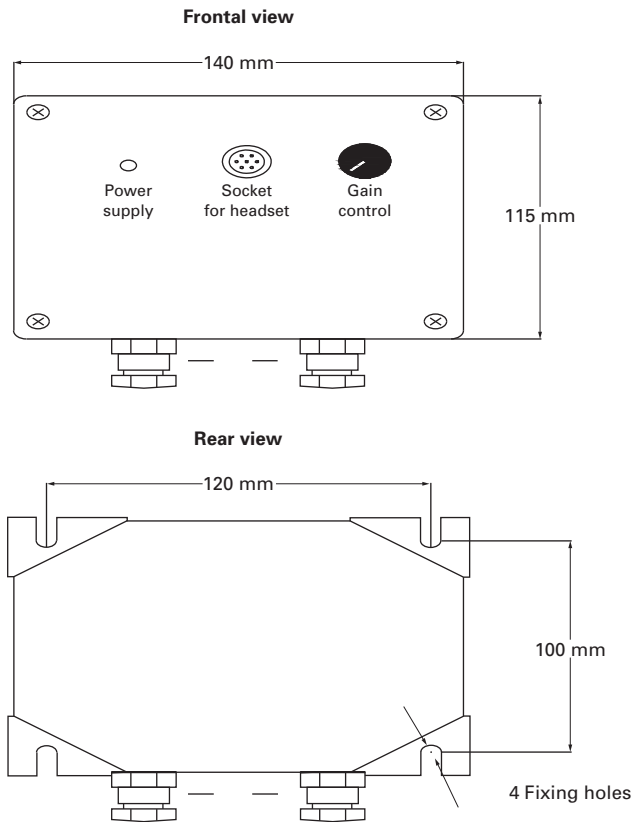
Features

- Coated aluminium material - grey colour RAL 7040
- Provides volume regulation
- Stainless steel cover screws and anti-aging seals
- Configurable for headset with preamplified or passive micro

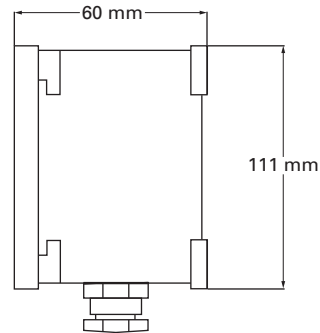
Specification

Material	Coated Aluminium - grey colour RAL 7040
Cable glands	Number and size according to incoming cable size Max cable gland size: PG-16 (5/8")
Mounting	Wall mounting. 4 x 6 mm fixing holes
Power supply	24 V DC - 220 VAC
Dimensions	Height 115 mm, width 140 mm, depth 60 mm
Weight	0,7 Kg

IMCOS-8211 Dimensions & fixing



Side view



Dip switch setting
(Fitted inside the box)

	1	2	3	4
MODE:	1	2	3	4
A:	ON	ON	OFF	GAIN
B:	OFF	OFF	ON	GAIN

(Mode A: Headset with preamplified micro)
 (Mode B: Headset with passive micro)
 Note: The gain can be adjusted by dip 4, on high/off low.

Socket
(fitted on the cover)



Ordering requirements

The following code is designed to help in selection of the correct unit. Build up the reference number by inserting the code for each component into the appropriate box.

Model

IMCOS-8211