

IMCOS-9090 Watertight jack box for headset/microphone connection



Product description

IMCOS-9090 is a watertight jack box for headset/microphone connection.

Features

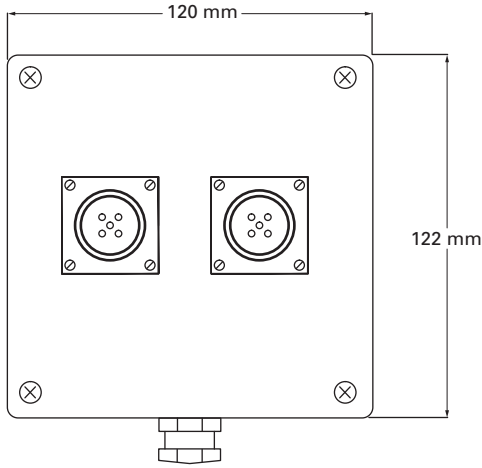
- Coated aluminium watertight box
- Grey colour RAL 7001
- Available with single or double connector with waterproof cover
- Ingress Protection IP66

Specification

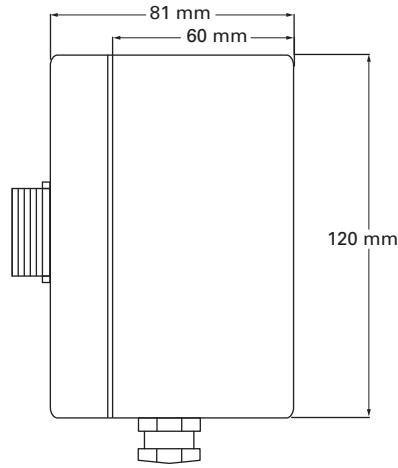
Material	Coated aluminium - grey colour RAL 7001
Mounting	Wall mounting
Fixing	4 x 4 mm fixing holes
Cable glands	1 x PG-21 (3/4")
Dimensions	Height 122 mm, width 120 mm, depth 81 mm
Weight	1 Kg
Ingress protection	IP55

IMCOS-9090 Dimensions & fixing

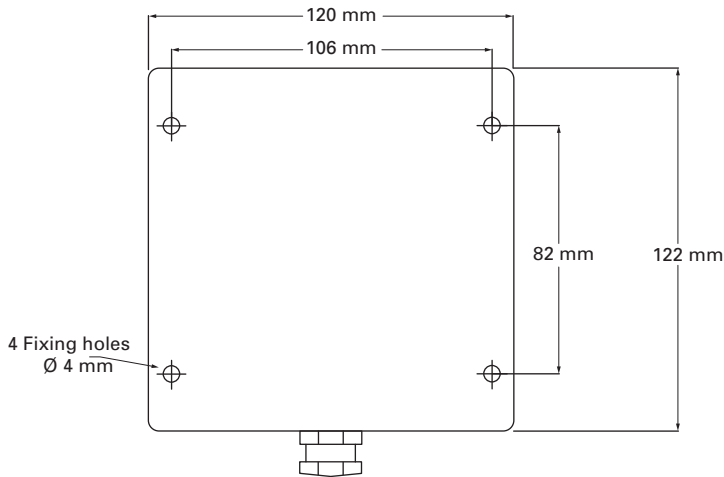
Frontal view



Side view



Fixing details



Ordering requirements

The following code is designed to help in selection of the correct unit. Build up the reference number by inserting the code for each component into the appropriate box.

Model

IMCOS-9090

Options

Entries	Code
1 Connector	1
2 Connectors	2

All specifications, dimensions, weights and tolerances are nominal (typical) and Gitiessse reserve the right to vary all data without prior notice. No liability is accepted for any consequence of use.

IMCOS™ System is type approved by seven marine class societies.