

IMCOS-9120 Intrinsically safe single-way self powered telephone



Product description

IMCOS-9120 is an intrinsically safe single-way self powered telephone, suitable for ship applications. Specifically designed for marine environment, requiring a harsh and rugged product.

Available in different versions, depending on the various installation locations.

The built in audio generator allows a reliable point-to-point communication with no central exchange needed.

Type approved by marine class societies: CCS.

ATEX Certification: 0425 ATEX 2377 ATEX Cert. Num

Features

- Polymer alloy. High performance material
- Anti rolling handset
- Optical LED call indication
- Dedicated headset version with microphone suitable for noisy areas use
- Extensible handset lead up to 1,5 mt
- Different versions available:
 - console mounting (IMCOS-9120-C)
 - wall mount (IMCOS-9120-W)
- Wall mounting version can be equipped with headset and microphone (IMCOS 9120-W-HS)
- Ingress Protection IP55

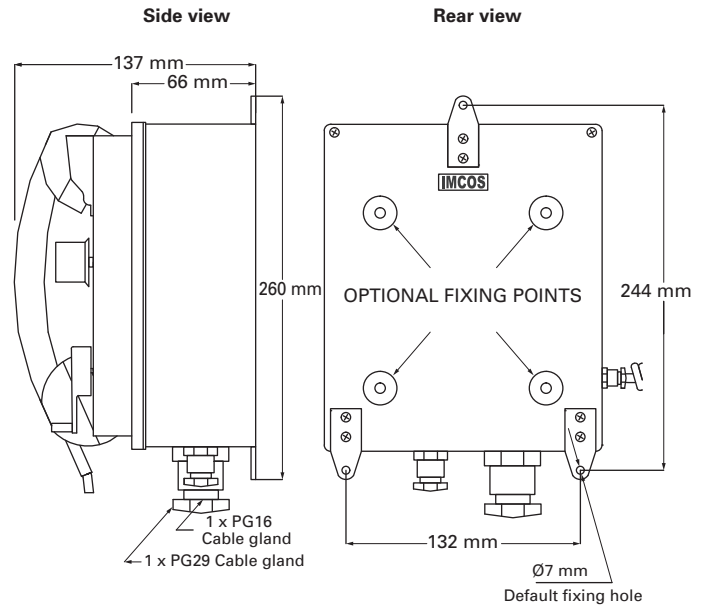
EATON

Powering Business Worldwide

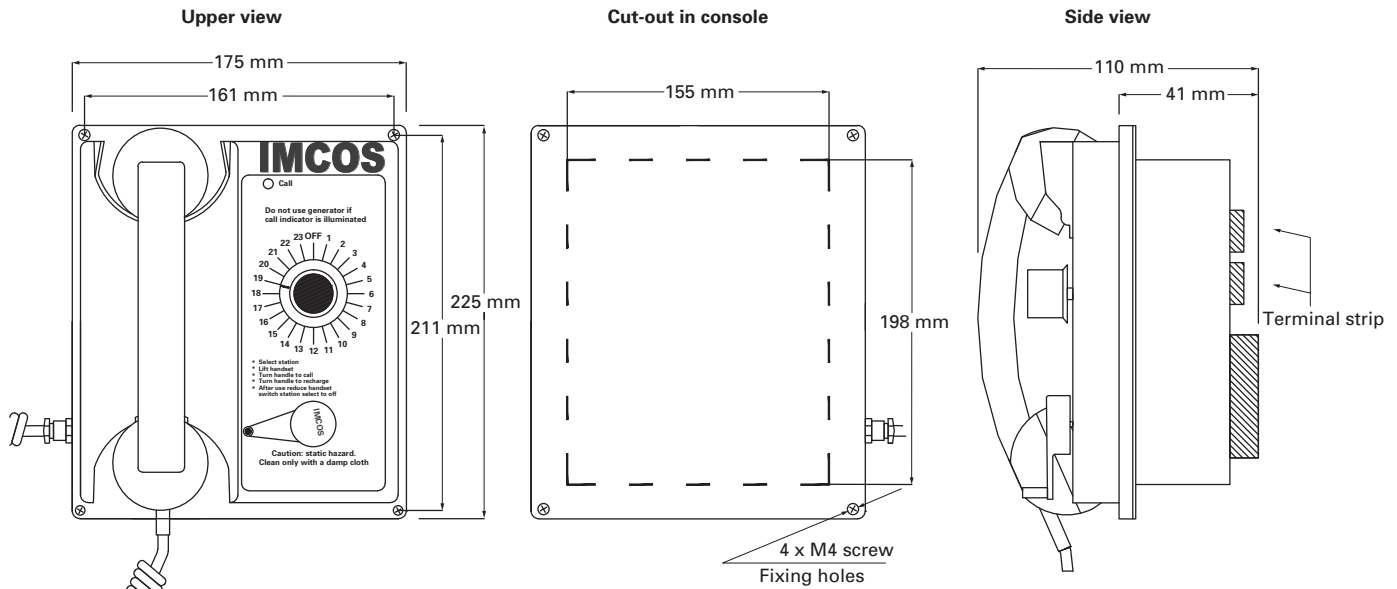
Specification

Certification	EX II 2G Ex ib IIC T6 -20<TA<+40
Material	Polymer alloy providing high impact resistance, black colour
Mounting	Console / wall mounting
Cable glands	1XPG21; 1XPG16 (only -W)
Ingress protection	IP 55
Weight	1,5 Kg (-C), 2 Kg (-W)
Max/min temperature	+40/-20 °C
Test certifications:	According to EN 60945
	Enclosure emissions EN 55016-2-3
	Immunity EN 61000
	Dry heat cycle EN 60068-2-2
	Damp heat cycle EN 60068-2-30
	Cold test EN 60068-2-1
	Salt mist EN 60068-2-52
Ingress protection EN 60529	
Sinusoidal vibration EN 60068-2-6	

IMCOS-9120-W Dimensions & fixing



IMCOS-9120 Dimensions & fixing



Ordering requirements

The following code is designed to help in selection of the correct unit. Build up the reference number by inserting the code for each component into the appropriate box.

Model	Mounting	Headset	Accessories												
IMCOS-9120			IMCOS-9032 Headset												
	<table border="1"> <thead> <tr> <th>Entries</th> <th>Code</th> </tr> </thead> <tbody> <tr> <td>Console</td> <td>C</td> </tr> <tr> <td>Wall</td> <td>W</td> </tr> </tbody> </table>	Entries	Code	Console	C	Wall	W	<table border="1"> <thead> <tr> <th>Entries</th> <th>Code</th> </tr> </thead> <tbody> <tr> <td>No headset</td> <td></td> </tr> <tr> <td>Headset*</td> <td>HS</td> </tr> </tbody> </table> <p>(*applicable to W model)</p>	Entries	Code	No headset		Headset*	HS	
Entries	Code														
Console	C														
Wall	W														
Entries	Code														
No headset															
Headset*	HS														

All specifications, dimensions, weights and tolerances are nominal (typical) and Gitiessse reserve the right to vary all data without prior notice. No liability is accepted for any consequence of use.

IMCOS™ System is type approved by seven marine class societies.