

XD70 HD IP series

Explosion proof PTZ dome camera station



Overview

Eaton's XD70 series are highly advanced process and surveillance camera stations that are certified to meet worldwide specifications for use in hazardous areas and harsh environmental conditions.

The customized dome is coated with an Electrostatic dissipative coating (ESD).

Features

- EX certified for zone 1 (gas group IIB+H2)
- 3MP 2304 x 1296 resolution
- H.264, H.265 video compression
- Supply voltage options (24/30VAC, 24VDC or PoE)
- Endless panoramic rotation
- Auto focus with manual override on motorised zoom lenses
- Auto iris with manual override on motorised zoom lenses
- Built-in heating



Certifications

ATEX	PRESAFE 18 ATEX 12335X
IECEX	IECEX PRE 18.6627X
Ex Certification Code	Ex II 2 G, Ex d IIB+H2 T5 Gb

Specifications

Weight	13.1kg
Dimensions	262 x 260mmØ (400mm including junction box)
Mounting	Ceiling (bolts:M10, not included)
Material & finish	Stainless steel AISI 316L, electro polished ESD coated polycarbonate dome cupola

Operating conditions camera

IP protection rate	IP66
Operating temperature range	-20°C to +70°C (heating element inside housing)
Humidity	Up to 100%
Vibration	3 - 100Hz (1mm or 0.7gr)
Enclosure	Salt mist tested
EMI/EMC	All locations including open deck

Camera

Image sensor	1/2.8" Progressive Scan CMOS
Sync system	Internal
Frame rate	2304 x 1296 @60fps
Min. illumination	Colour: 0.001Lux @(F1.5, AGC ON) B/W: 0.0005 Lux @(F1.5, AGC ON)
WDR	120dB
Lens	
Focal length	4.5-148.5mm, 33 x optical
Aperture range	F1.5-F4.0
Angle of view	56.11-2.67° (wide - tele)
Day & night	IR cut filter auto switch

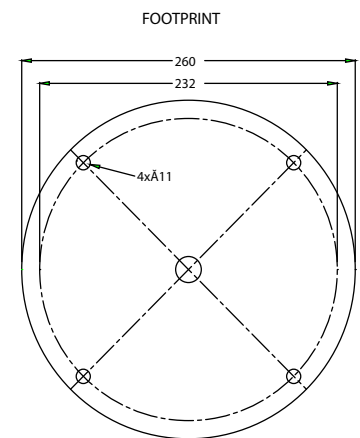
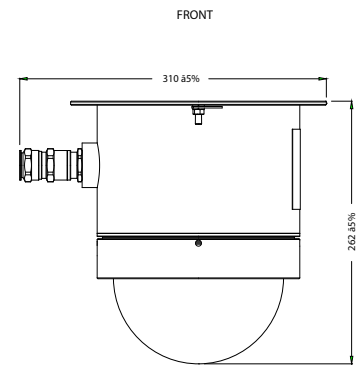
Attributes

Power supply	30VAC (+10% -30%, 50/60Hz), 24VDC (+/-10%) or PoE (IEEE802.3at)
Power consumption / heat dissipation	12W (20W max. when heater is on)
Rotating angle / variable speed	Pan: continuous 360°/speed 1.8°/sec. - 110°/sec Tilt: 180°/ speed 1.8°/sec. - 110°/sec
Preset / home position	100 preset + 1 home positions, accuracy ≤ 0.1°

Specifications

Protocol	IPv4/IPv6, TCP/IP, DHCP, DNS, DDNS, RTP, RTSP, PPPoE, SMTP, NTP, UPnP, SNMP, FTP, 802.1x, QoS, HTTPS, IPv6 (SIP, SRTP optional)
Compression	H.265, H.264
Streaming	Five streams
Video bit rate	128 Kbps - 16 Mbps
Ethernet port	1 RJ45 10M/100M Ethernet interface
Electrical data	CAT6 Cable AWG23

General arrangement drawing (all dimensions in mm)



Ordering requirements

The following code is designed to help in selection of the correct unit. Build up the reference number by inserting the code for each component into the appropriate box

XD70													
------	--	--	--	--	--	--	--	--	--	--	--	--	--

Housing type
Visual camera housing
Code
V

Wiper options
No wiper
Code
N

Video type
HD IP system
Code
I

Day/night module
33x zoom 3MP HD IP camera
Code
V

Thermal core module
No thermal core
Code
N

Thermal core lens
No thermal imaging lens
Code
N

Video system
IP
Code
I

Supply voltage
24-30 VAC
POE
24 VDC
Code
1
2
4

Camera rotation
Continuous rotation
Code
1

Protocol requirements
Pelco D protocol, baud rate 2400bps
Code
D

Certification
ATEX/IECEX combined
Code
Q

Temperature type
T5, -20°C to +70°C
Code
2

Transmission type
Standard electrical IP no cable tail
Standard electrical IP POE 10M cable Tail
Standard electrical IP 30VAC/24VDC 3M cable Tail
Code
0
7
8